

LEPMIS Game Access

Unique Solutions for Unique People
Integrated Systems for an Integrated Life Style

User and Installation instructions For ORTHROS dual joystick one handed controller “USB PC” version



Please read these instructions for installation and use before attempting to use this product.

These instructions have been prepared in order that the product is not used outside of its limitations, and to ensure the user obtains maximum satisfaction from its use.

CONTENTS

	FRONT SHEET	PAGE 1
	CONTENTS PAGE	PAGE 2
1	INTRODUCTION	PAGE 2
2	LIMITATIONS OF USE	PAGE 2
3	WARNINGS	PAGE 3
4	DESCRIPTION OF UNIT	PAGE 3
5	OPERATING INSTRUCTIONS	PAGE 3
6	PROBLEM SOLVING	PAGE 4
7	CLEANING INSTRUCTIONS	PAGE 4
8	TECHNICAL SPECIFICATION	PAGE 4
	End of document	PAGE 4

1 INTRODUCTION

This manual provides the necessary information for the use of the handset, and provides basic fault finding information. The unit is identified by the information on the labelling on the unit, and includes: Type, Year of manufacture and Serial Number. The system is classed as an accessory to a "Medical Device" for the purposes of the European Medical Devices Directive 93/42/EEC 14th June 1993, as it compensates for an injury or handicap.

The purpose of the device is to allow one handed access to PC computer based gaming activities.

2 LIMITATIONS OF USE

The unit is reasonably well protected from the effects of dust, water and EMI, but there are no particular features to prevent water entering the unit. Do not soak the unit or attempt to "wash" it in any way. Clean sparingly with a barely damp cloth and mild detergent if really necessary. The unit is intended to be used in a home or school environment, and due to its lack of full environmental protection, must not be subjected to exposure to the elements. The unit is rated for continuous operation but you are advised to consult the documentation on the length of time You should spend playing computer games, and how long the computer equipment should be left on. Operating temperature range, as per the computer operating instructions or between 5° and 20° centigrade.

This unit MUST NOT be used to control a mobility device, for example a wheelchair.

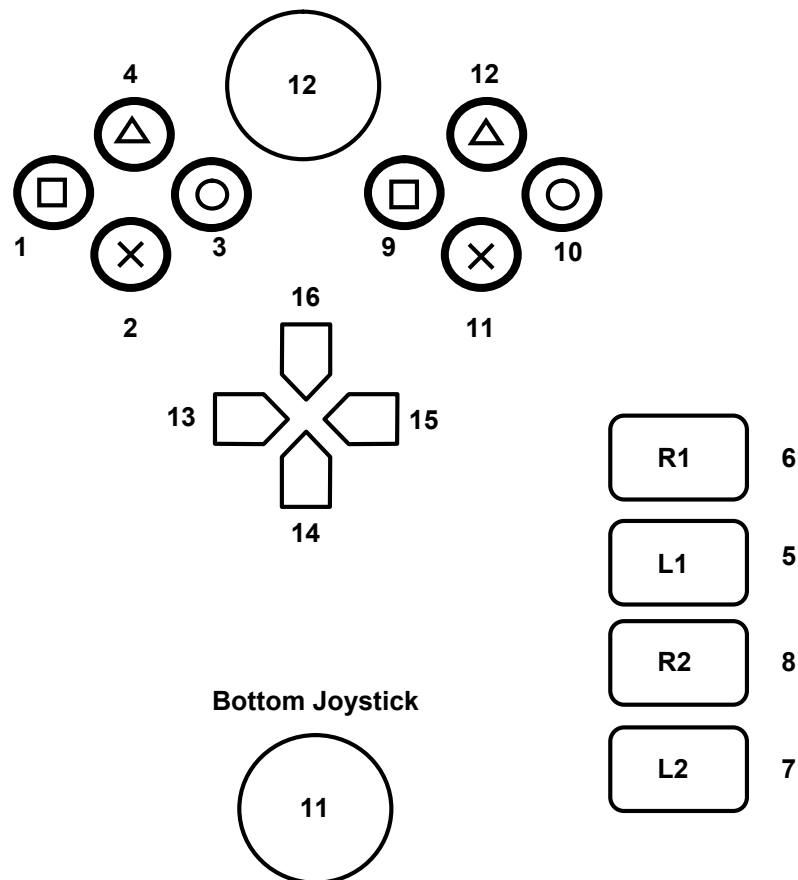
3 WARNINGS

No unauthorised access or dismantling of the unit allowed. Authorisation will only be given by the manufacturers – LEPMIS, in writing, to competent persons. It is not recommended that you play any sort of computer game for extended periods of time. Playing computer games can become an addictive habit, leading to emotional and physical changes to the player.

4 DESCRIPTION OF UNIT

This unit consists of a plastic enclosure as in the picture on the front page, which houses simple circuit boards with joysticks and switches.

The main feature of this controller is that the SHAPE buttons and other controls are mirrored on both sides of the unit for use by either left or right handed persons. The button mapping is indicated below.




The Shoulder buttons, L1, L2, R1, R2, are implemented on the back spine of the handset, and are labelled up as per the format of the SONY PS3 handset.

The bottom joystick is normally configured to the Left hand joystick of a standard controller. And the top the right.

5 OPERATING INSTRUCTIONS

Plug the USB connector of the PC-ORTH (Orthros Joystick) into your computer Follow the instructions for setting up your controller on your game or PC.



This symbol  means that the ORTHROS controller must be re-cycled when no longer required. Please do not throw away in the general refuse. Please request from LEPMIS a pre paid envelope in which to return it to the manufacturers.

6 PROBLEM SOLVING

Common faults such as the switches or joysticks working intermittently will arise due to wear and tear. USB plugs and sockets will degrade from repeated connection and disconnection of the plugs. This is unavoidable but the sockets should last a number of years before they need replacing. Please contact your supplier of this unit for repairs or maintenance. Failing that, contact LEPMIS whose address and telephone number are listed on the last page of this user manual.

7 CLEANING INSTRUCTIONS

When necessary, the unit should be cleaned with a barely damp cloth, using only a tiny amount of household detergent. DO NOT USE abrasive products or solvents.

AVOID getting fluids or foreign material into the sockets as they will either corrode or become jammed up, and stop working. Failure of the sockets in this way is not covered by the warranty.

8 TECHNICAL SPECIFICATION

Size:	10.5cm wide, by 5.5cm deep, by 18cm high, (not including cable)
Weight:	0.31 kg
Operating Voltage	USB 5v No internal power supply. Do not exceed 5v

This User / Installation manual has been written for the:-

LEPMIS “**PC - ORTHROS**” Dual Joystick controller, for PC.

which is designed to meet the general requirements of:-

the **Medical Devices Directive 93/42/EEC 14 June 1993.**

and conforms to the requirements of **BSEN 60529** to a level of **IP30**

Supplied by:

Long Eaton Powered Mobility Integration Service
24 Laurel Crescent
Long Eaton
Nottingham
NG10 3NN

Tel:	0771 495 8061
e-mail:	Support@LEPMIS.co.uk
On the WEB, at	LEPMIS.co.uk

We hope you enjoy the use of this product, but please do so safely!
End of Document